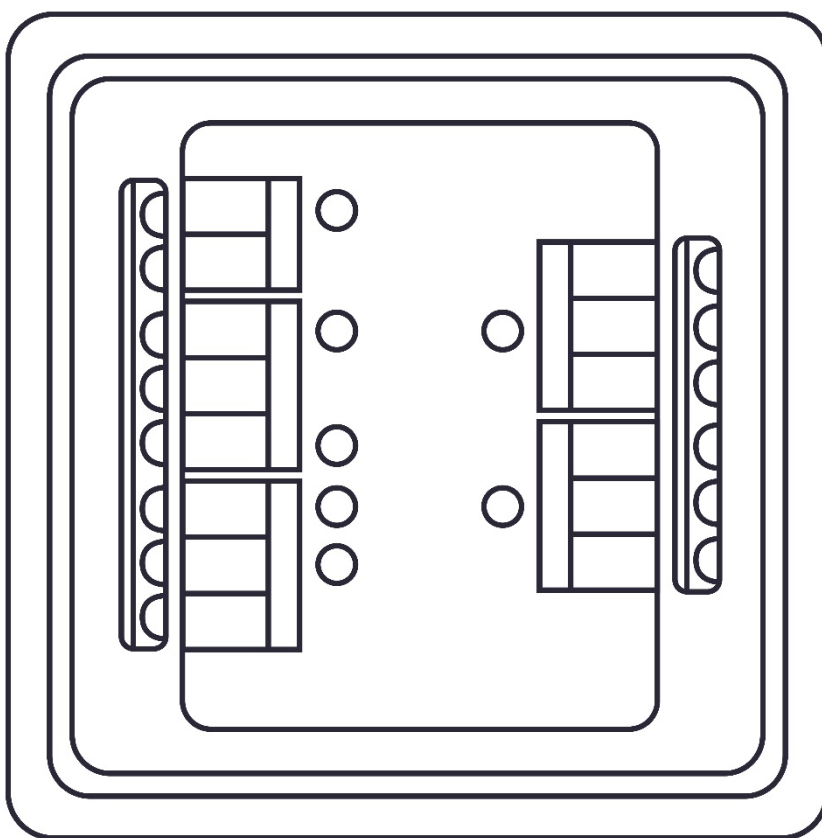


Quick Install Guide

# ANAVIO I/O Controller

For Unified Intercom Reader

VA-IOC01



# FCC COMPLIANCE STATEMENT

Information to the user: This unit has been tested and found to comply with the limits for a Class A digital device pursuant to Part 15 of the FCC Rules. Operation is subject to the following two conditions: (1) this device may not cause harmful interference, and (2) this device must accept any interference received, including interference that may cause undesired operation. These limits are designed to provide reasonable protection against harmful interference in a residential installation. This unit generates, uses, and can radiate radio frequency energy and, if not installed and used in accordance with the manual, may cause harmful interference to radio communications. However, there is no guarantee that interference will not occur in a particular installation.

**If this unit does cause harmful interference to radio or television reception, which can be determined by turning the unit off and on, the user is encouraged to try to correct the interference by one or more of the following measures:**

- Reorient or relocate the receiving antenna.
- Increase the separation between the unit and receiver.
- Connect the unit to an outlet on a circuit different from that to which the receiver is connected.
- Consult the dealer or an experienced radio/TV technician for help.

---

**CAUTION** Changes or modifications not expressly approved by the party responsible for compliance could void the user's authority to operate the unit.

---

## **Radiation Exposure Statement**

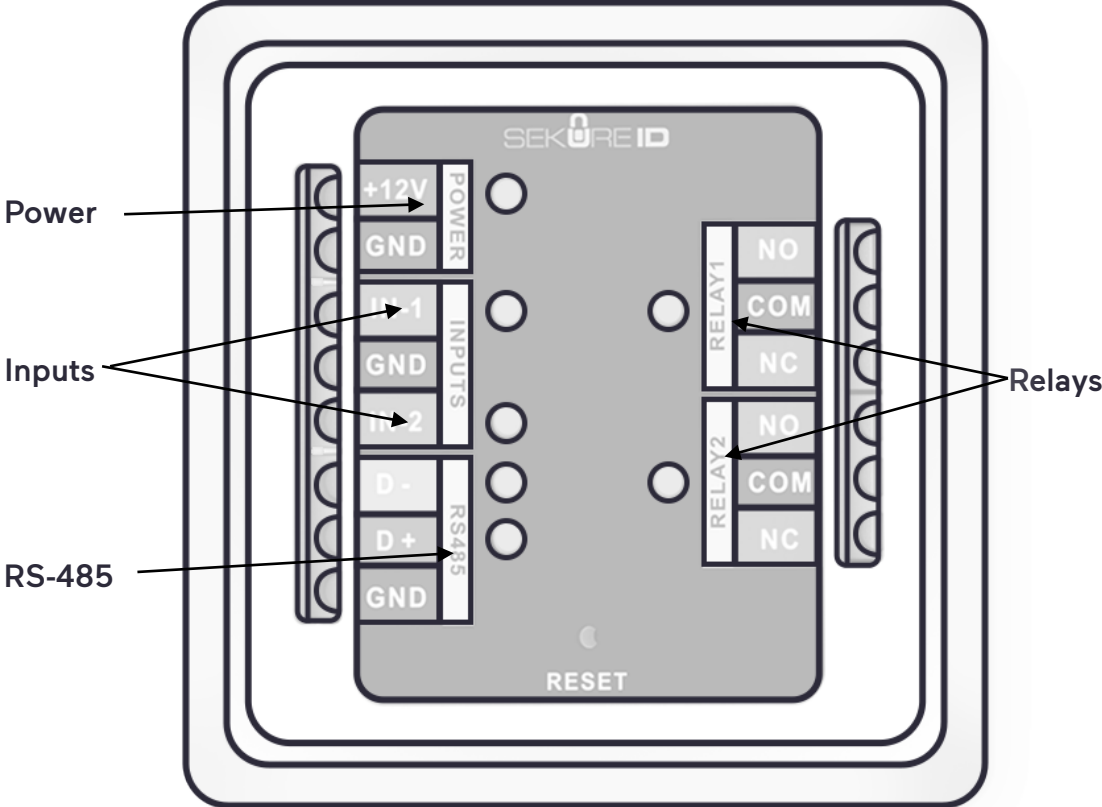
The product complies with the FCC portable RF exposure limit set forth for an uncontrolled environment and are safe for intended operation as described in this manual. The further RF exposure reduction can be achieved if the product can be kept as far as possible from the user body or set the device to lower output power if such function is available.

# TABLE OF CONTENTS

1. PRODUCT OVERVIEW	3
<hr/>	
STATUS COLOR LEDS	3
2. CONTROLLER PAIRING	5
<hr/>	

# 1. PRODUCT OVERVIEW

Indicator LEDs: Refer to table that follows.



# STATUS COLOR LEDS

## None

Controller is off, not getting power or source is damaged.

## Blinking Red



Power indicator. Blinking intermittently: Controller is booting up.

Blinking steadily: Controller is ready to pair with the UIR.

## Solid Red



Controller is powered and paired to the UIR.

## Blinking Blue



COM indicator. 2 faint blinks: Controller has detected an UIR and is ready to establish communications.

Blinking steadily: Controller successfully established communication the reader and is paired.

## Solid Blue



Controller is receiving a command from the UIR.

## Solid Green



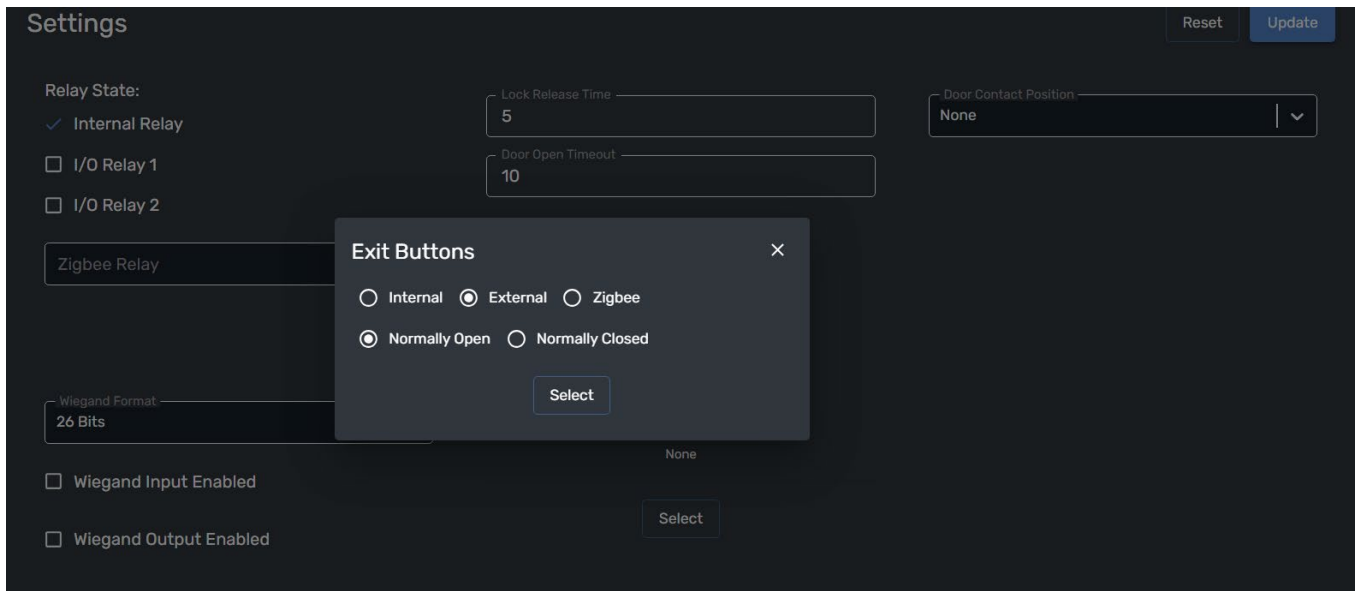
Inputs and Relay Indicators. Controller opened a relay or enabled an input.

## 2. CONTROLLER PAIRING

The VA-IOC01 Controller must be paired to a VA-UIR02A Reader. Once paired, the controller will only work with that device and is tagged with that specific serial number.

An admin can access the Anavio Control Software and follow these steps:

1. Go to the Doors menu and select the door (the VA-UIR02A Reader to pair with the controller). It is recommended to take note of the serial numbers of both devices to keep track of how they are paired, as the software does not indicate that.
2. Go to Settings (in the Doors menu) and select the option that applies (I/O Relay and External Button or Door Contact) to this installation. Activating any of them initiates the pairing process once both devices are connected.

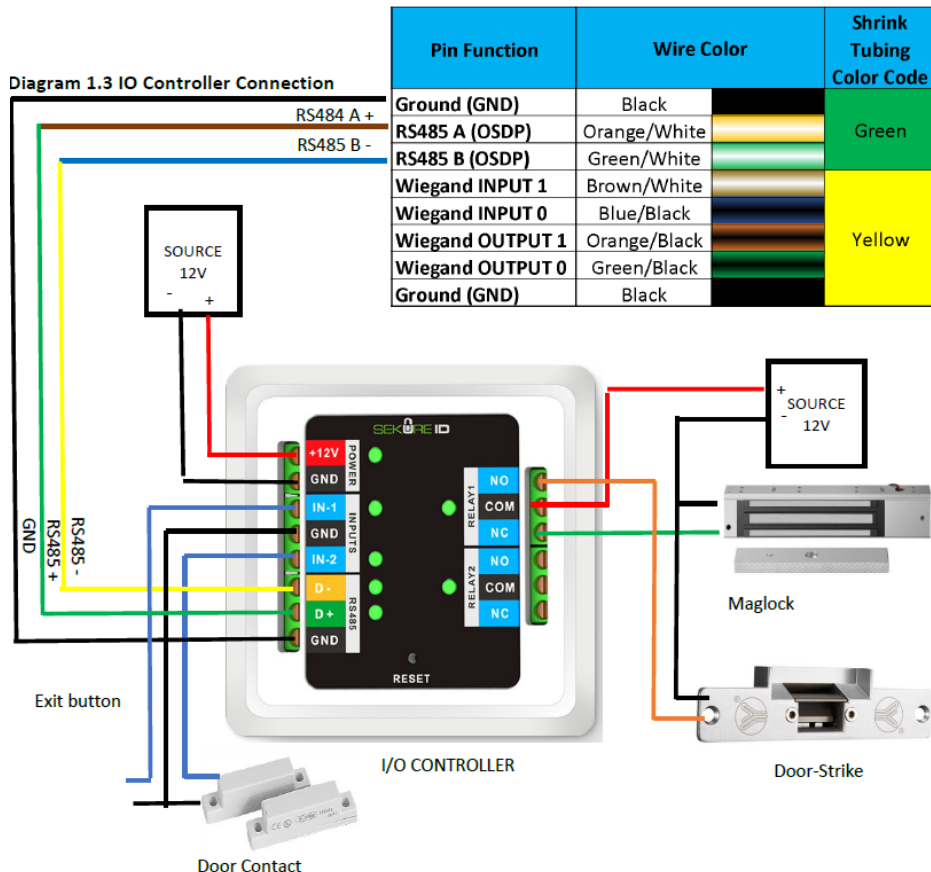


Follow the steps below to perform the pairing:

1. Wire the Controller to the Reader through the RS-485; refer to the Pigtail Wiring Diagram below.

Pigtail Shrink Tubing Color	Pigtail Color	Name	Description	Connection
---	Ethernet	---	RJ45 Connector	Anavio Cloud
White	Orange/Red	NO	Relay Normally Open*	Lock
Red	Brown/Red	COM	Relay Common*	Lock
Blue	Blue/Yellow	NC	Relay Normally Closed*	Lock
Black	Green/Yellow	IN1	Input 1	REX / Exit Button
Black	Brown/Yellow	GND	Ground	REX / Door Contact
Black	White	IN2	Input 2	Door Contact
Green	Orange/White	RS485-A	RS485 / OSDP	Secure I/O, 3rd Party Controller
Green	Green/White	RS485-B	RS485 / OSDP	Secure I/O, 3rd Party Controller
Green	Black	GND	RS485 / OSDP	Secure I/O, 3rd Party Controller
Yellow	Brown/White	WD-IN 1	Wiegand Input 1	3rd Party Reader
Yellow	Blue/Black	WD-IN 0	Wiegand Input 0	3rd Party Reader
Yellow	Black	GND	Ground	3rd Party Reader / Controller
Yellow	Orange/Black	WD-OUT 1	Wiegand Output 1	3rd Party Controller
Yellow	Green/Black	WD-OUT 0	Wiegand Output 0	3rd Party Controller

2. Connect the power source and power on the controller to ensure that the connections are correct and stable. Refer to the Quick connection diagram below.



3. Use a pin to push the Reset button for three (3) seconds; the Controller starts blinking.
4. The Controller reboots and the red power light begins blinking, indicating it is ready to pair.
5. Connect the Reader and wait for it to boot; the Controller should make 2 weak blinks, indicating that the connections were done properly and a reader is transmitting.
6. Perform an attempt to access the Reader to begin the first communication negotiation to the Controller; this first attempt will be unsuccessful, as the Controller does not accept this first attempt for security reasons. This causes all the I/Os to blink once.
7. Reboot both devices and they will be paired and ready to operate together.
8. After pairing the Controller, the power light goes from blinking red to solid red and the blue RS-485 indicators blink occasionally, indicating the pairing process is complete and the Reader is transmitting.

NOTE: The Controller cannot be connected to any other device after this unless the entire process is run again with another Reader.





Vicon Industries Inc. does not warrant that the functions contained in this equipment will meet your requirements or that the operation will be entirely error free or perform precisely as described in the documentation. This system has not been designed to be used in life-critical situations and must not be used for this purpose.

Document Number: 8009-8342-20-00 Rev: 1/243  
Product specifications subject to change without notice  
Copyright © 2024 Vicon Industries Inc. All rights reserved.

24-Hour Technical Support:  
800-34-VICON (800-348-4266)  
UK: 44/(0) 1489-566300  
Toll Free: 800-645-9116

T: 631-952-2288  
F: 631-951-2288

[vicon-security.com](http://vicon-security.com)